

CombHEX

InfraMiX Series
Premix Gas Burners



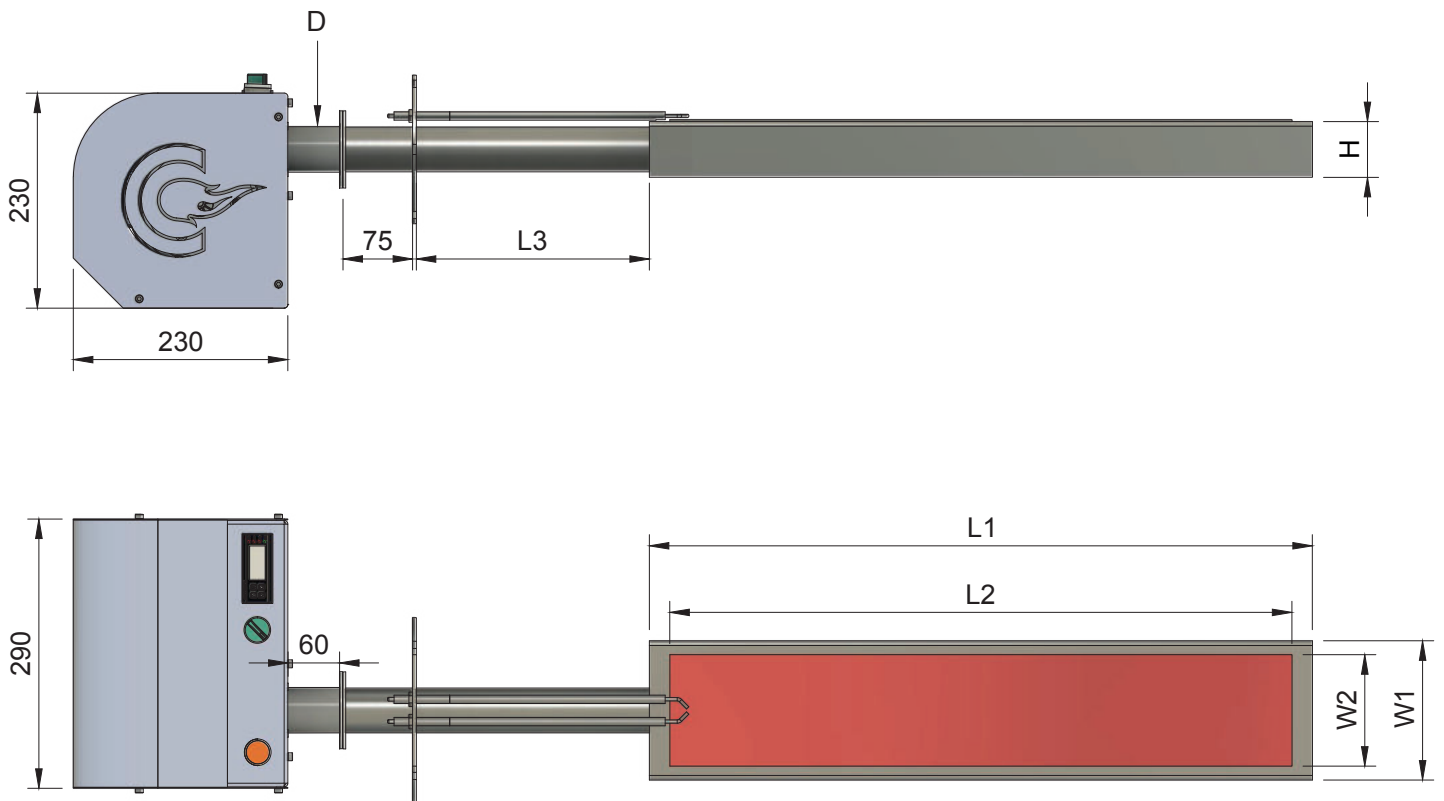
www.combhex.com

InfraMix SERIES

Dimensions (mm)

Model

CX-28/F | CX-36/F | CX-50/F | CX-72/F | CX-100/E | CX-150/S



MODEL	D	H	L1	L2	L3	W1	W2
■ CX-28/F, CX-36/F	48	64	600	550	190	110	80
■ CX-50/F, CX-72/F	48	64	800	750	260	160	140
■ CX-100/E, CX-150/S	48	64	1500	1450	300	200	180

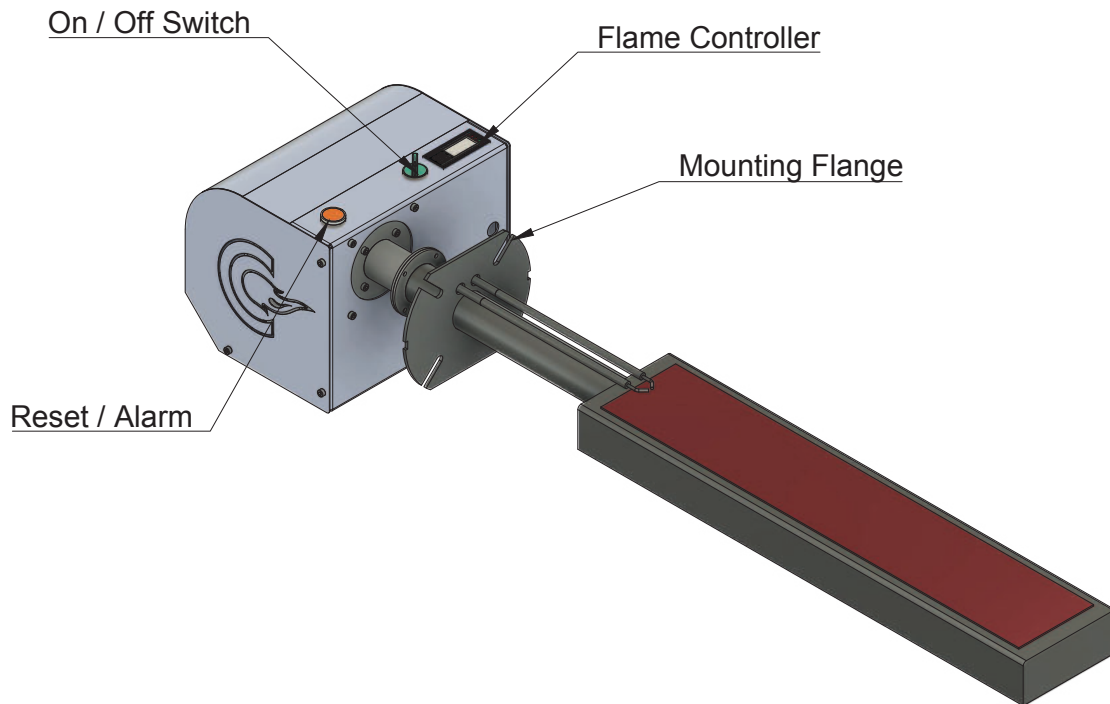
*** L1, L2, L3, W1, W2 dimensions and mounting flange can be produced by customer specifications.

*** Combustion heads is made by 4mm stainless steel material .

InfraMix SERIES

One stage / Modulation
PREMIX BURNERS

Technical data



MODEL	CAPACITY	CAPACITY	CONSUMPTION (Natural Gas)	CONSUMPTION (LPG)
■ CX-28/F	4 - 28 kW	3.440 - 24.080 kcal	0.42 - 2.92 m ³ /h	0.31 - 2.18 kg/h
■ CX-36/F	5 - 36 kW	4.300 - 30.960 kcal	0.52 - 3.75 m ³ /h	0.39 - 2.80 kg/h
■ CX-50/F	7 - 50 kW	6.020 - 43.000 kcal	0.73 - 5.21 m ³ /h	0.54 - 3.89 kg/h
■ CX-72/F	10 - 69 kW	8.600 - 59.340 kcal	1.04 - 7.19 m ³ /h	0.78 - 5.37 kg/h
■ CX-100/E	13 - 100 kW	11.180 - 86.000 kcal	1.36 - 10.42 m ³ /h	1.01 - 7.78 kg/h
■ CX-150/S	25 - 145 kW	21.500 - 124.700 kcal	2.61 - 15.12 m ³ /h	1.94 - 11.28 kg/h

* Nominal Working pressure for LPG (propane) is 31 mbar.

* Nominal Working pressure for Natural Gas (Methane) is 21 mbar.

* Burners can be operate One Stage (ON/OFF) or Modulated (0-10 V / 4-20 mA) .

* Air filters (optional) usage strongly recommended in order to avoid dust in environment.

* Flame controller (digital/manual), ON/OFF switch, temperature controller can be add as optional accesories.

InfraMix SERIES

Burner Accessories



16 PIN PLUG

In order to connect burner with PLC system / Control panels 16 Pin Plug is available for easy connection, commissioning and maintenance.



USB Communication Kit

Connecting the burner to a PC for the operation check, parameter modification and detailed information, an USB interface kit is available.



Manual / Digital Potentiometer

It is possible to connect the Burner box to a Manual / Digital Potentiometer that allows flame control.



Burner Interface Modul

It is possible to connect the Ignition controller to a Digital Burner Interface that allows remote control.

- On/OFF - Stand-by mode
- Flame Control
- Reset
- Error Codes Display
- Burner Informations



Air Filter Kit

In order to avoid from the pollution in the burner environment and long lasting use, CombHEX recommends to use Air Filter in burners.



LPG Kit

In order to use the burner with LPG (Propane/Butane) special LPG kit is available with 3 different capacities.

- 4 kg/h - 10 kg/h - 30 kg/h