

CombHEX

DuoJET Series
Premix Gas Burners



www.combhex.com

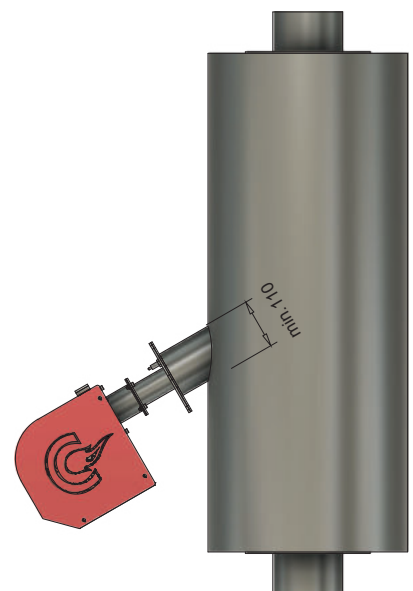
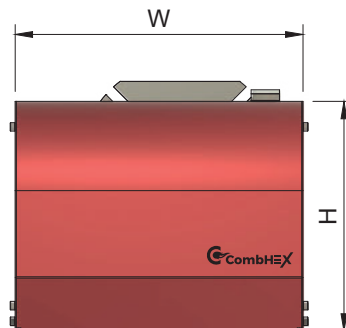
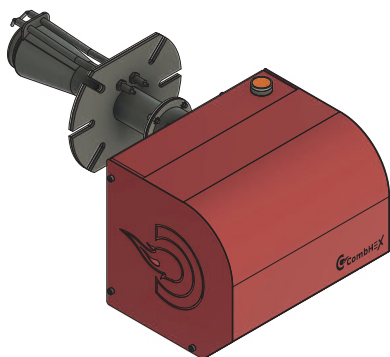
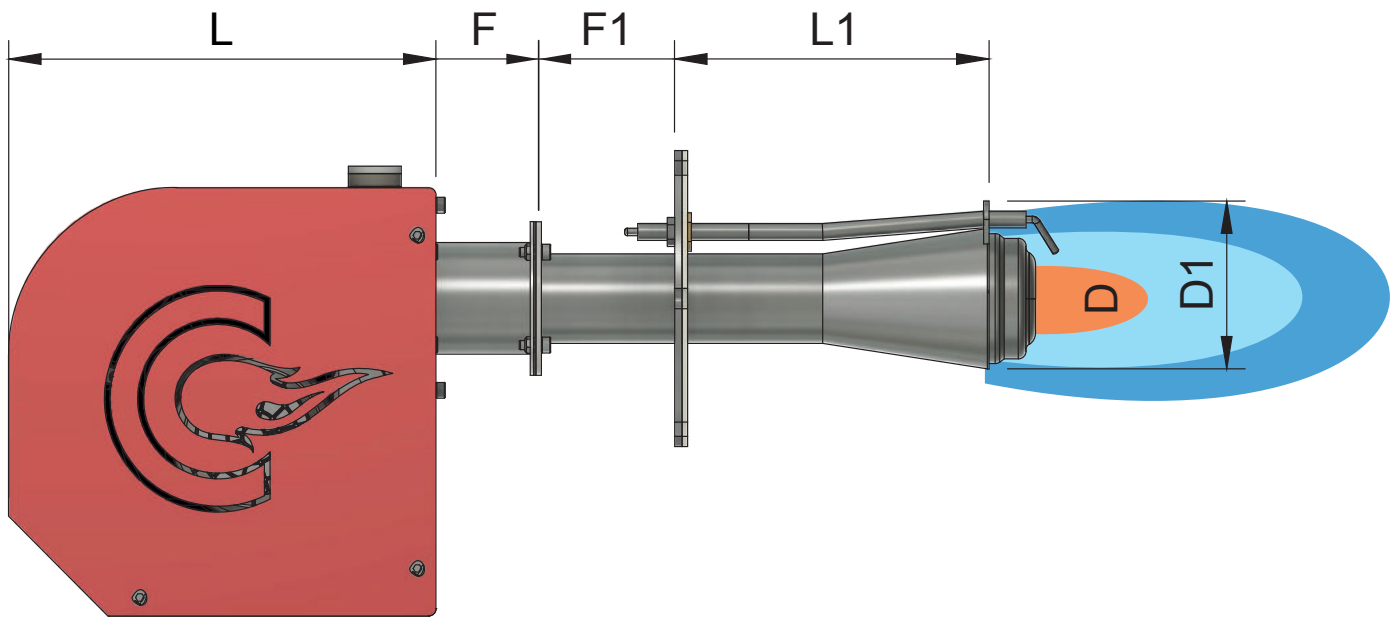
DuoJET SERIES

One stage / Modulation
PREMIX BURNERS

Dimensions (mm)

Model

CX-28/F | CX-36/F | CX-50/F | CX-72/F | CX-100/E | CX-150/S



DuoJET SERIES

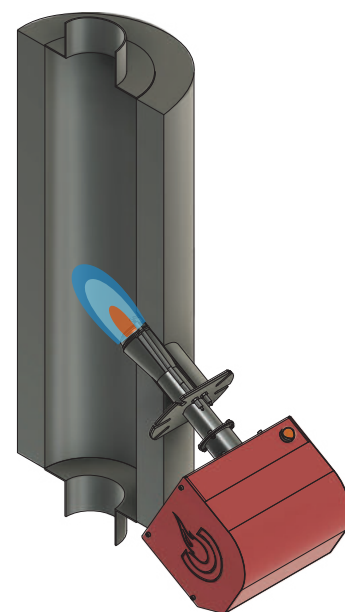
One stage / Modulation
PREMIX BURNERS

Dimensions (mm)

MODEL	D	D1	L1	F	F1	L	W	H
■ CX-28/F, CX-36/F	76	100	170	60	75	230	230	230
■ CX-50/F, CX-72/F	76	100	170	60	75	230	230	230
■ CX-100/E, CX-150/S	76	100	170	60	75	230	290	250

***D1, L1 dimensions can be produced by customer specifications.

MODEL	CAPACITY	CAPACITY	CONSUMPTION (Natural Gas)	CONSUMPTION (LPG)
■ CX-28/F	4 - 28 kW	3.440 - 24.080 kcal	0.42 - 2.92 m ³ /h	0.31 - 2.18 kg/h
■ CX-36/F	5 - 36 kW	4.300 - 30.960 kcal	0.52 - 3.75 m ³ /h	0.39 - 2.80 kg/h
■ CX-50/F	7 - 50 kW	6.020 - 43.000 kcal	0.73 - 5.21 m ³ /h	0.54 - 3.89 kg/h
■ CX-72/F	10 - 69 kW	8.600 - 59.340 kcal	1.04 - 7.19 m ³ /h	0.78 - 5.37 kg/h
■ CX-100/E	13 - 100 kW	11.180 - 86.000 kcal	1.36 - 10.42 m ³ /h	1.01 - 7.78 kg/h
■ CX-150/S	25 - 145 kW	21.500 - 124.700 kcal	2.61 - 15.12 m ³ /h	1.94 - 11.28 kg/h



- * Nominal Working pressure for LPG (propane) is 31 mbar.
- * Nominal Working pressure for Natural Gas (Methane) is 21 mbar.
- * Burners can be operate One Stage (ON/OFF) or Modulated (0-10 V / 4-20 mA) .
- * Air filters (optional) usage strongly recommended in order to avoid dust in environment.
- * Flame controller (digital/manual), ON/OFF switch, temperature controller can be add as optional accesories.

DuoJET SERIES

Burner Accessories



16 PIN PLUG

In order to connect burner with PLC system / Control panels 16 Pin Plug is available for easy connection, commissioning and maintenance.



USB Communication Kit

Connecting the burner to a PC for the operation check, parameter modification and detailed information, an USB interface kit is available.



Manuel / Digital Potentiometer

It is possible to connect the Burner box to a Manual / Digital Potentiometer that allows flame control.



Burner Interface Modul

It is possible to connect the Ignition controller to a Digital Burner Interface that allows remote control.
On/OFF - Stand-by mode
Flame Control
Reset
Error Codes Display
Burner Informations



Air Filter Kit

In order to avoid from the pollution in the burner environment and long lasting use, CombHEX recommends to use Air Filter in burners.



LPG Kit

In order to use the burner with LPG (Propane/Butane) special LPG kit is available with 3 different capacities.
4 kg/h - 10 kg/h - 30 kg/h