

CombHEX

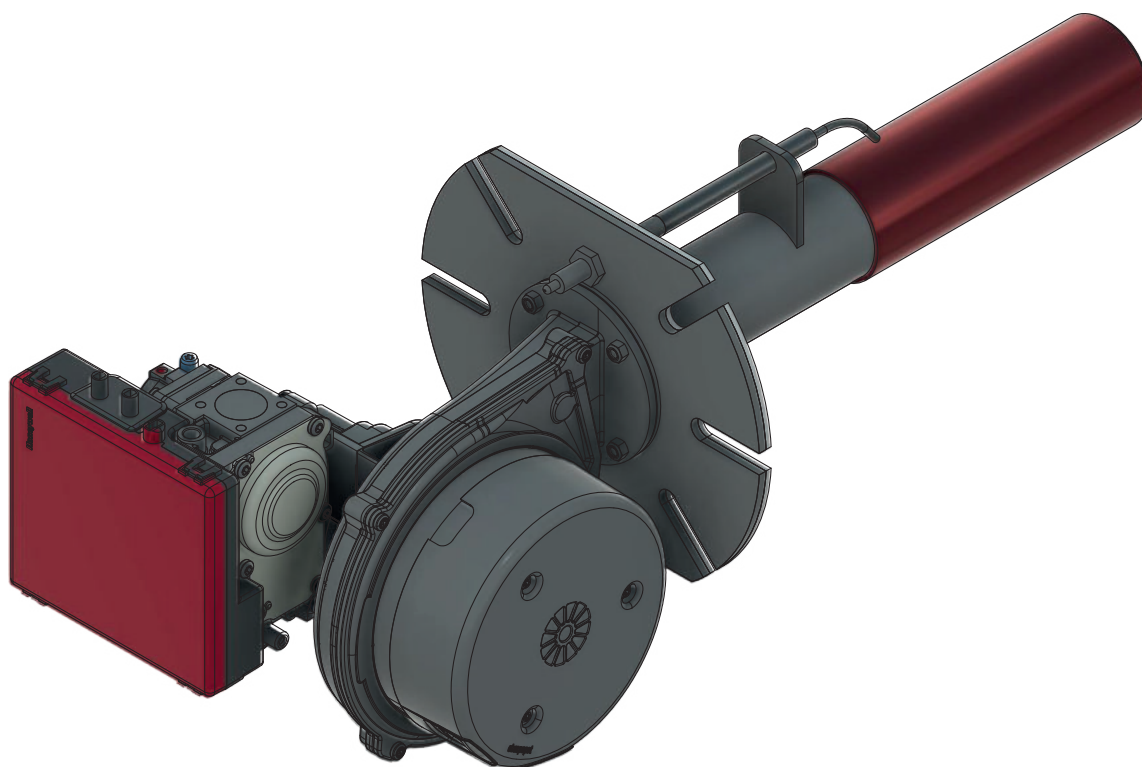
CX Series
Premix Gas Burners



www.combhex.com

CX SERIES Premix Gas Burners

(for Natural Gas and LPG)

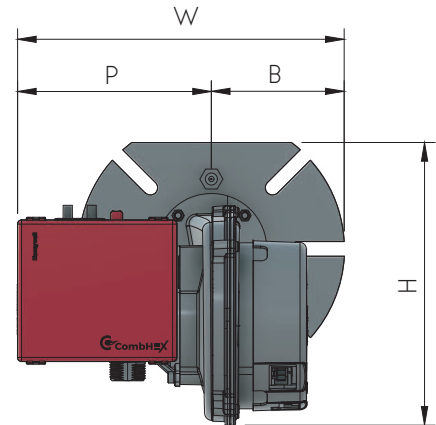
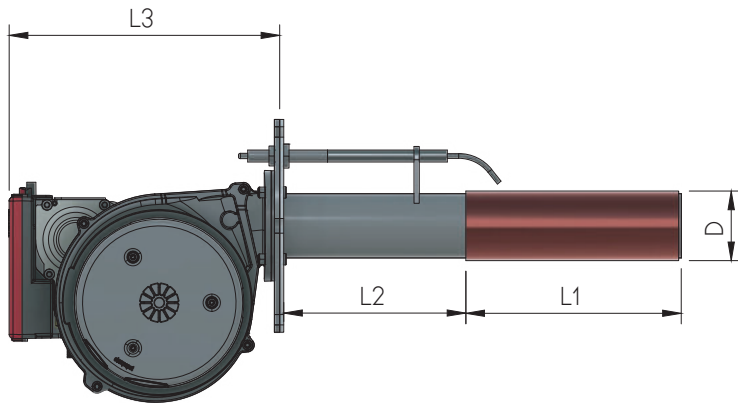


MODEL	PRODUCT CODE
■ CX-28/F	1284115005313
■ CX-36/F	1284115005207
■ CX-50/F	1284115005214
■ CX-72/F	1284115105105
■ CX-100/E	1484115105000
■ CX-150/S	1504115105005

CX SERIES

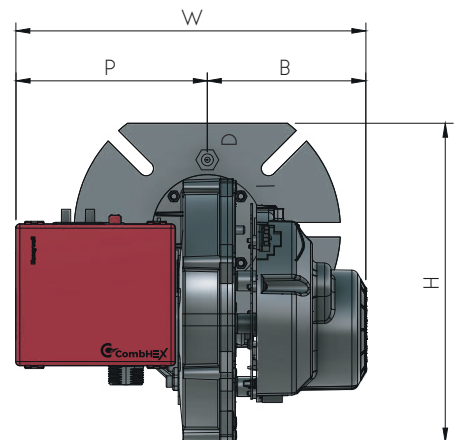
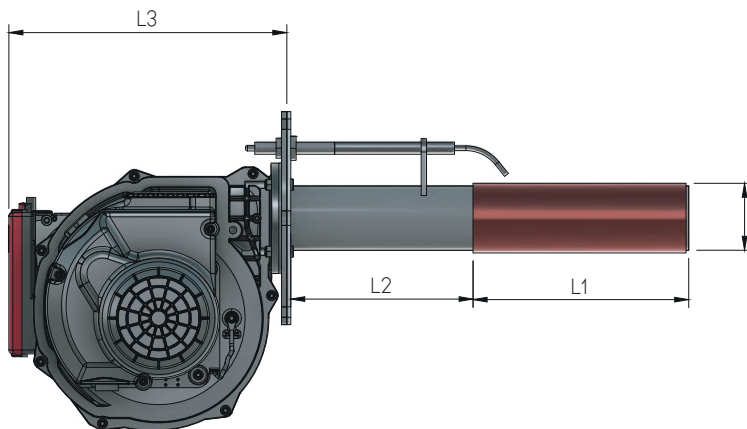
Model

CX-28/F | CX-36/F | CX-50/F | CX-72/F



Model

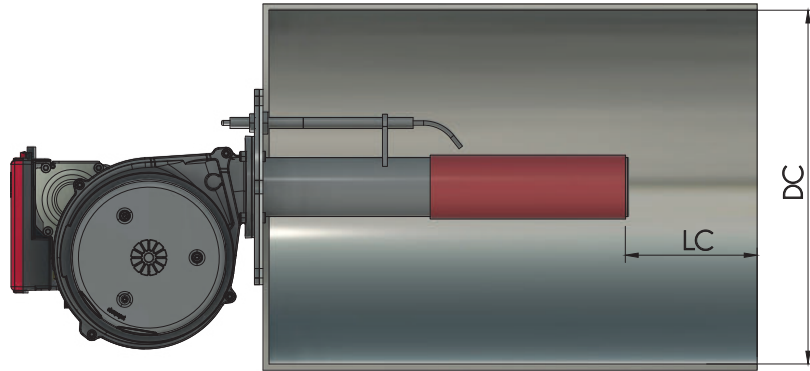
CX-100/E | CX-150/S



MODEL	*D	*L1	L2	L3	W	P	B	H	LC	DC
■ CX-28/F, CX-36/F	52	160	140	203	245	144	101	212	>60	170-230
■ CX-50/F, CX-72/F	64	185	111	203	245	144	101	212	>70	220-300
■ CX-100/E, CX-150/S	74	265	130	209	263	144	119	239	>80	330-390

*** D, L1, L2 dimensions can be produced by customer specifications.

CX SERIES



Combustion Chamber Dimensions

MODEL	CAPACITY	CAPACITY	CONSUMPTION (Natural Gas)	CONSUMPTION (LPG)
■ CX-28/F	4 - 28 kW	3.440 - 24.080 kcal	0.42 - 2.92 m ³ /h	0.31 - 2.18 kg/h
■ CX-36/F	5 - 36 kW	4.300 - 30.960 kcal	0.52 - 3.75 m ³ /h	0.39 - 2.80 kg/h
■ CX-50/F	7 - 50 kW	6.020 - 43.000 kcal	0.73 - 5.21 m ³ /h	0.54 - 3.89 kg/h
■ CX-72/F	10 - 69 kW	8.600 - 59.340 kcal	1.04 - 7.19 m ³ /h	0.78 - 5.37 kg/h
■ CX-100/E	13 - 100 kW	11.180 - 86.000 kcal	1.36 - 10.42 m ³ /h	1.01 - 7.78 kg/h
■ CX-150/S	25 - 145 kW	21.500 - 124.700 kcal	2.61 - 15.12 m ³ /h	1.94 - 11.28 kg/h

* Nominal Working pressure for LPG (propane) is 31 mbar.

* Nominal Working pressure for Natural Gas (Methane) is 21 mbar.

* Min. Working pressure:12 mbar , Max. Working Pressure: 60 mbar

* Burners can be operate One Stage (ON/OFF) or Modulated (0-10 V / 4-20 mA).

* Electrical supply 220 V , 50 Hz