

# CombHEX

**CX Series**  
Premix Gas Burners



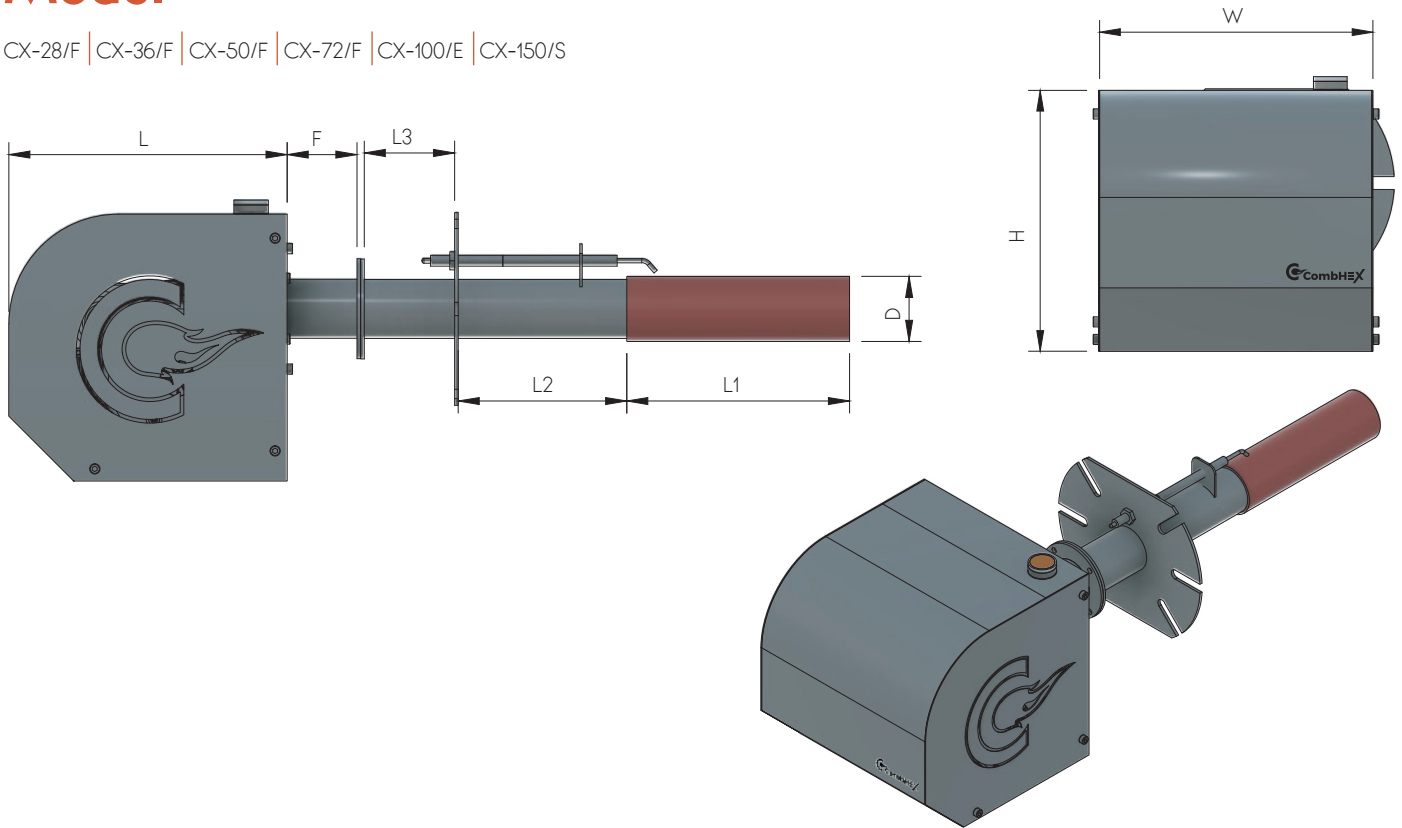
[www.combhex.com](http://www.combhex.com)

---

## CX SERIES

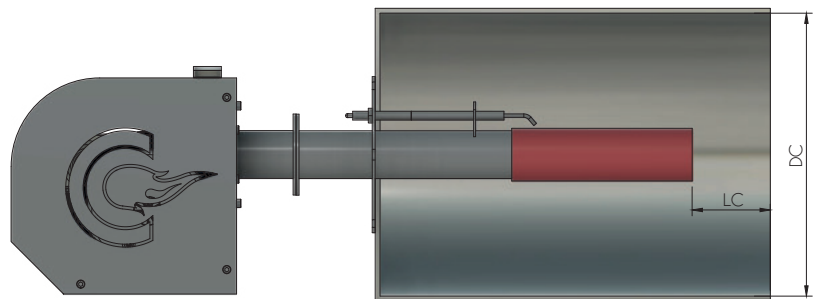
### Model

CX-28/F | CX-36/F | CX-50/F | CX-72/F | CX-100/E | CX-150/S



MODEL	D	L1	L2	L3	F	L	W	H	LC	DC
■ CX-28/F, CX-36/F	52	160	140	60	60	230	230	230	>60	170-230
■ CX-50/F, CX-72/F	64	185	111	60	60	230	230	230	>70	220-300
■ CX-100/E, CX-150/S	74	265	130	60	60	230	290	250	>80	330-390

\*\*\* D, L1, L2 dimensions can be produced by customer specifications.

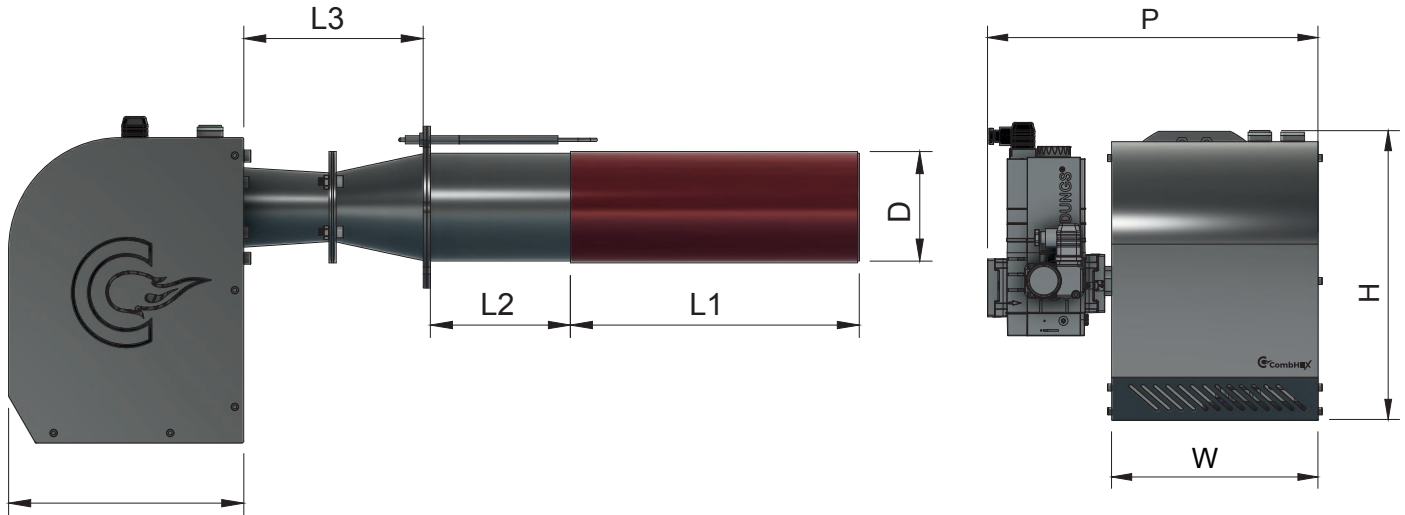


Combustion chamber dimensions

- \* Nominal Working pressure for LPG (propane) is 31 mbar.
- \* Nominal Working pressure for Natural Gas (Methane) is 21 mbar.
- \* Min. Working pressure: 12 mbar , Max. Working Pressure: 60 mbar
- \* Burners can be operate One Stage ( ON/OFF ) or Modulated ( 0-10 V / 4-20 mA ).
- \* Electrical supply 220 V , 50 Hz

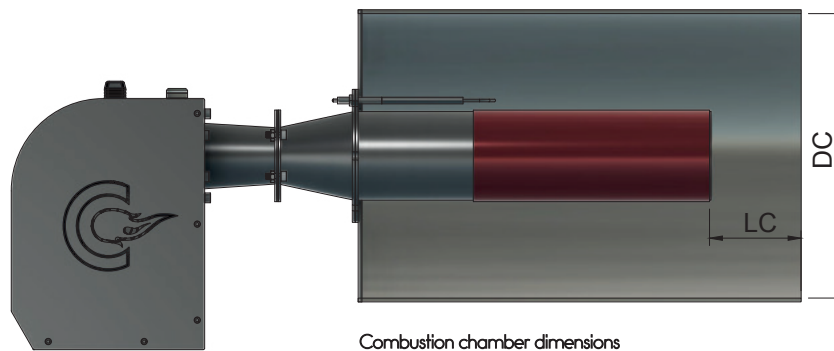
## CX SERIES

**Model** CX-200/E | CX-350/E



MODEL	*D	*L1	*L2	L3	W	P	H	L	LC	DC
■ CX-200/E	120	320	160	200	252	403	352	262	360-400	>120
■ CX-350/E	140	442	189	219	261	415	413	287	430-460	>140

\*\*\* D, L1, L2 dimensions can be produced by customer specifications.



Combustion chamber dimensions

MODEL	CAPACITY	CAPACITY	CONSUMPTION (Natural Gas)	CONSUMPTION (LPG)
■ CX-28/F	4 - 28 kW	3.440 - 24.080 kcal	0.42 - 2.92 m <sup>3</sup> /h	0.31 - 2.18 kg/h
■ CX-36/F	5 - 36 kW	4.300 - 30.960 kcal	0.52 - 3.75 m <sup>3</sup> /h	0.39 - 2.80 kg/h
■ CX-50/F	7 - 50 kW	6.020 - 43.000 kcal	0.73 - 5.21 m <sup>3</sup> /h	0.54 - 3.89 kg/h
■ CX-72/F	10 - 69 kW	8.600 - 59.340 kcal	1.04 - 7.19 m <sup>3</sup> /h	0.78 - 5.37 kg/h
■ CX-100/E	13 - 100 kW	11.180 - 86.000 kcal	1.36 - 10.42 m <sup>3</sup> /h	1.01 - 7.78 kg/h
■ CX-150/S	25 - 145 kW	21.500 - 124.700 kcal	2.61 - 15.12 m <sup>3</sup> /h	1.94 - 11.28 kg/h
■ CX-200/E	40 - 200 kW	34.400 - 172.000 kcal	4.17 - 20.85 m <sup>3</sup> /h	3.11 - 15.56 kg/h
■ CX-350/E	40 - 350 kW	34.400 - 301.000 kcal	4.17 - 36.48 m <sup>3</sup> /h	3.11 - 27.23 kg/h

## CX SERIES

### Burner Accessories



**16 PIN PLUG**

In order to connect burner with PLC system / Control panels 16 Pin Plug is available for easy connection, commissioning and maintenance.



**USB Communication Kit**

Connecting the burner to a PC for the operation check, parameter modification and detailed information, an USB interface kit is available.



**Manuel / Digital Potentiometer**

It is possible to connect the Burner box to a Manual / Digital Potentiometer that allows flame control.



**Burner Interface Modul**

It is possible to connect the Ignition controller to a Digital Burner Interface that allows remote control.

- On/OFF - Stand-by mode
- Flame Control
- Reset
- Error Codes Display
- Burner Informations



**Air Filter Kit**

In order to avoid from the pollution in the burner environment and long lasting use, CombHEX recommends to use Air Filter in burners.



**LPG Kit**

In order to use the burner with LPG (Propane/Butane) special LPG kit is available with 3 different capacities.

- 4 kg/h - 10 kg/h - 30 kg/h